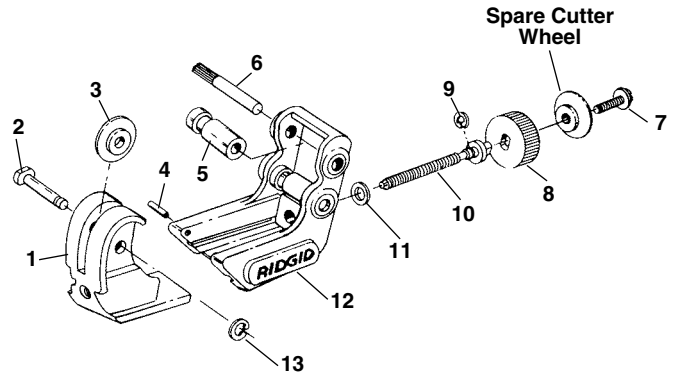


## No. 101 Tubing Cutter

**NOTE: Order parts by Catalog Number only. DO NOT order by Reference Number.**

Ref. No.	Catalog No.	Description
1	42312	Wheel Housing
2	33970	Cutter Wheel Pin and Clip (Incl. Ref. No. 13)
3	33185	E3469 Cutter Wheel
4	33955	Stop Pin
5	34640	Roll (2)
6	42342	Roller Pin (2)
7	34750	Screw w/Washer
8	42337	Knob
9	42327	Retaining Ring
10	42322	Feed Screw
11	42332	Thrust Washer
12	42317	Roll Housing
13	74740	Clip

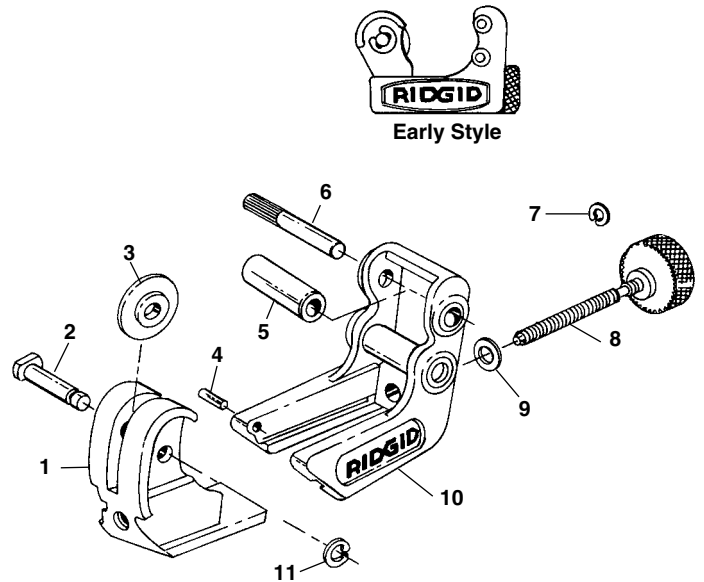


## No. 103 Capacity: to 5/8" O.D.

## No. 104 Capacity: to 15/16" O.D.

Ref. No.	Description	No. 103	No. 104
		Catalog No.	Catalog No.
1	Wheel Housing	47342	47332
*	Wheel Housing (Early Style)	33940	33985
2	Cutter Wheel Pin & Clip (Incl. Ref. No. 11)	33970	33970
3	Cutter Wheel	33185	33185
4	Stop Pin	33955	33955
5	Roll (2)	33965	33965
6	Roll Pin (2)	33960	33960
7	Retaining Ring	42327	42327
*	Retaining Ring (Early Style)	33830	33830
8	Feed Screw and Knob Assy.	47322	47317
*	Feed Screw and Knob Assy. (Early Style)	33945	33980
9	Washer	42332	42332
*	Washer (Early Style)	33950	33950
10	Roll Housing	47337	47327
*	Roll Housing (Early Style)	33935	33975
11	Clip	74740	74740

\*Early style housings have plated finish



## No. 117

Ref. No.	Catalog No.	Description
—	97787	117 Tubing Cutter
1	15348	Feed Screw Assembly
2	42332	Thrust Washer
3	33965	Roll (2)
4	42327	Retaining Clip
5	33185	Cutter Wheel
6	15358	Cutter Wheel Pin w/Clip
7	15363	Spring (2)
8	15368	Cutter Wheel Housing
9	33955	Roll Pin
10	74740	Retaining Clip
11	15353	Frame
12	33960	Pin (2)

