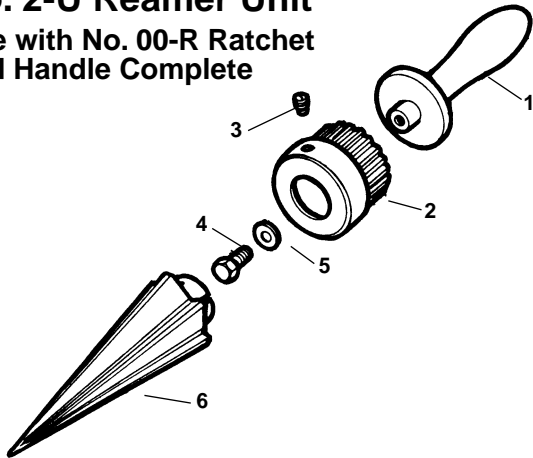


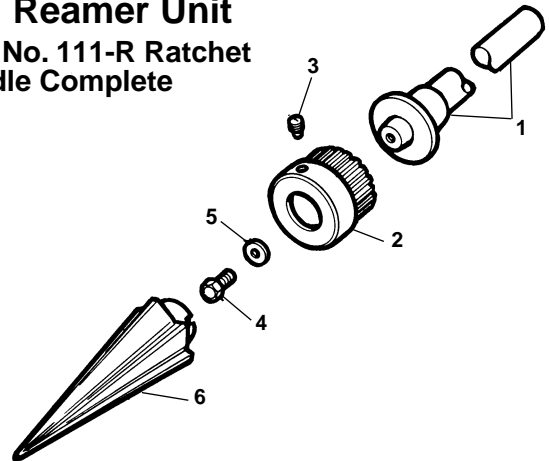
**No. 2-U Reamer Unit**

Use with No. 00-R Ratchet and Handle Complete



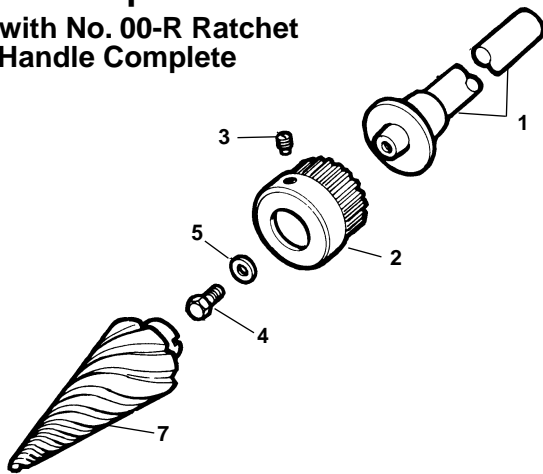
**No. 3-U Reamer Unit**

Use with No. 111-R Ratchet and Handle Complete



**No. 2-SU Spiral Reamer Unit**

Use with No. 00-R Ratchet and Handle Complete



NOTE: Order parts by Catalog Number only.  
DO NOT order by Reference Number.

Ref. No.	Description	No. 2-U	No. 3-U	No. 2-SU
		Catalog No.	Catalog No.	Catalog No.
1	Handgrip	35010	35125	35085
2	Ratchet Head	35015	35130	35080
3	Set Screw	35045	35045	35045
4	Screw	35050	35050	35050
5	Washer	35055	35055	35055
6	Strt. Reamer Cone	34975	35090	—
7	Spiral Reamer Cone	—	—	35020

**3-Way Pipe and Conduit Threaders**

**No. 30-A Capacity: 3/8" through 3/4"**

**No. 31-A Capacity: 1/2" through 1"**

Ref. No.	Description	No. 30-A	No. 31-A
		Catalog No.	Catalog No.
1	Body	39230	39235
2	1" Cover Plate	—	39710
3	3/4" Cover Plate	39715	39715
4	1/2" Cover Plate	39720	39720
5	3/8" Cover Plate	38745	—
6	Handle (2)	38590	38590
7	Cover Plate Screw (4)	38750	38750

Note: Refer to Tool Price List when ordering Dies

