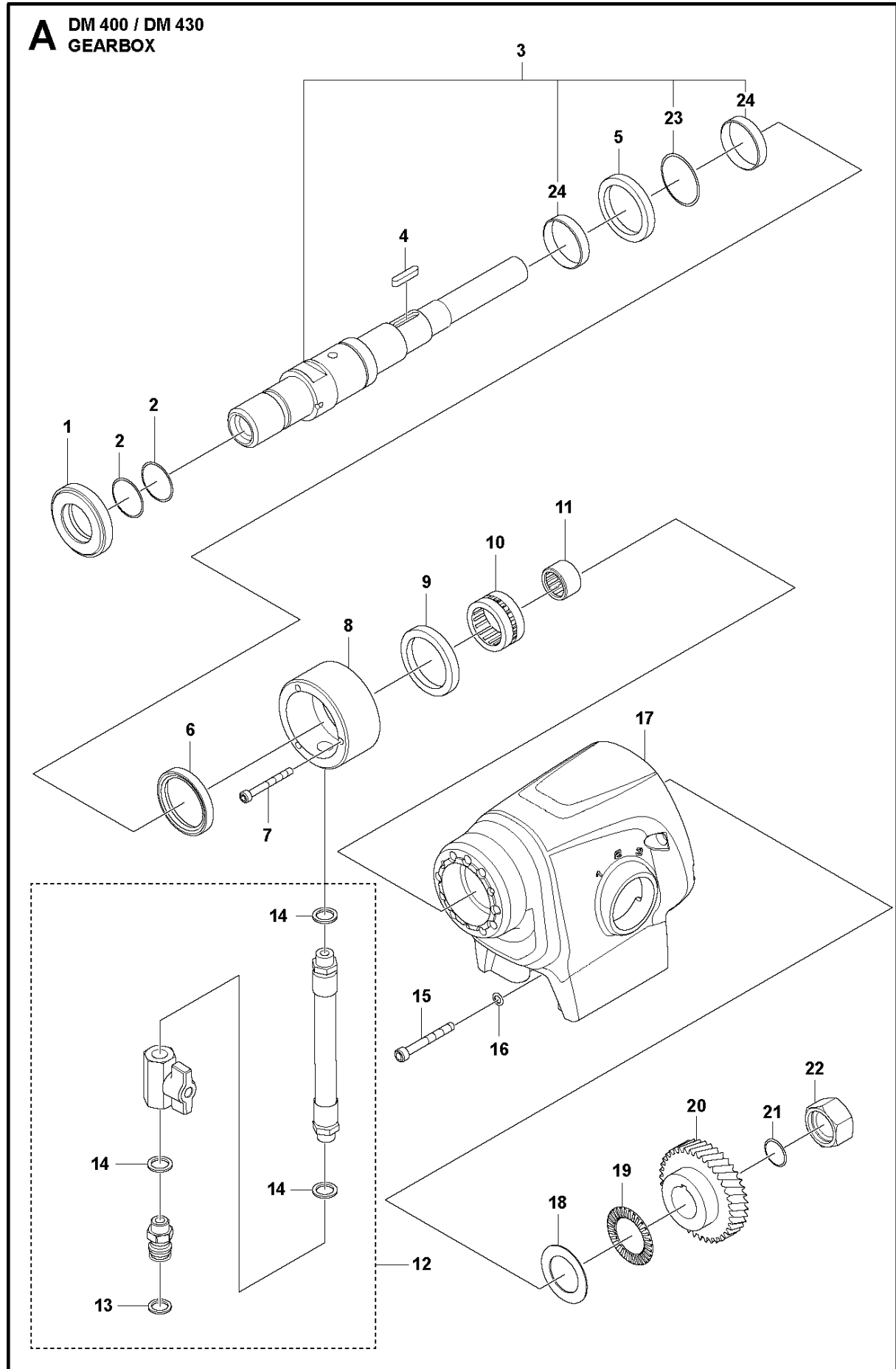




SPARE PARTS LIST

DRILLING EQUIPMENT

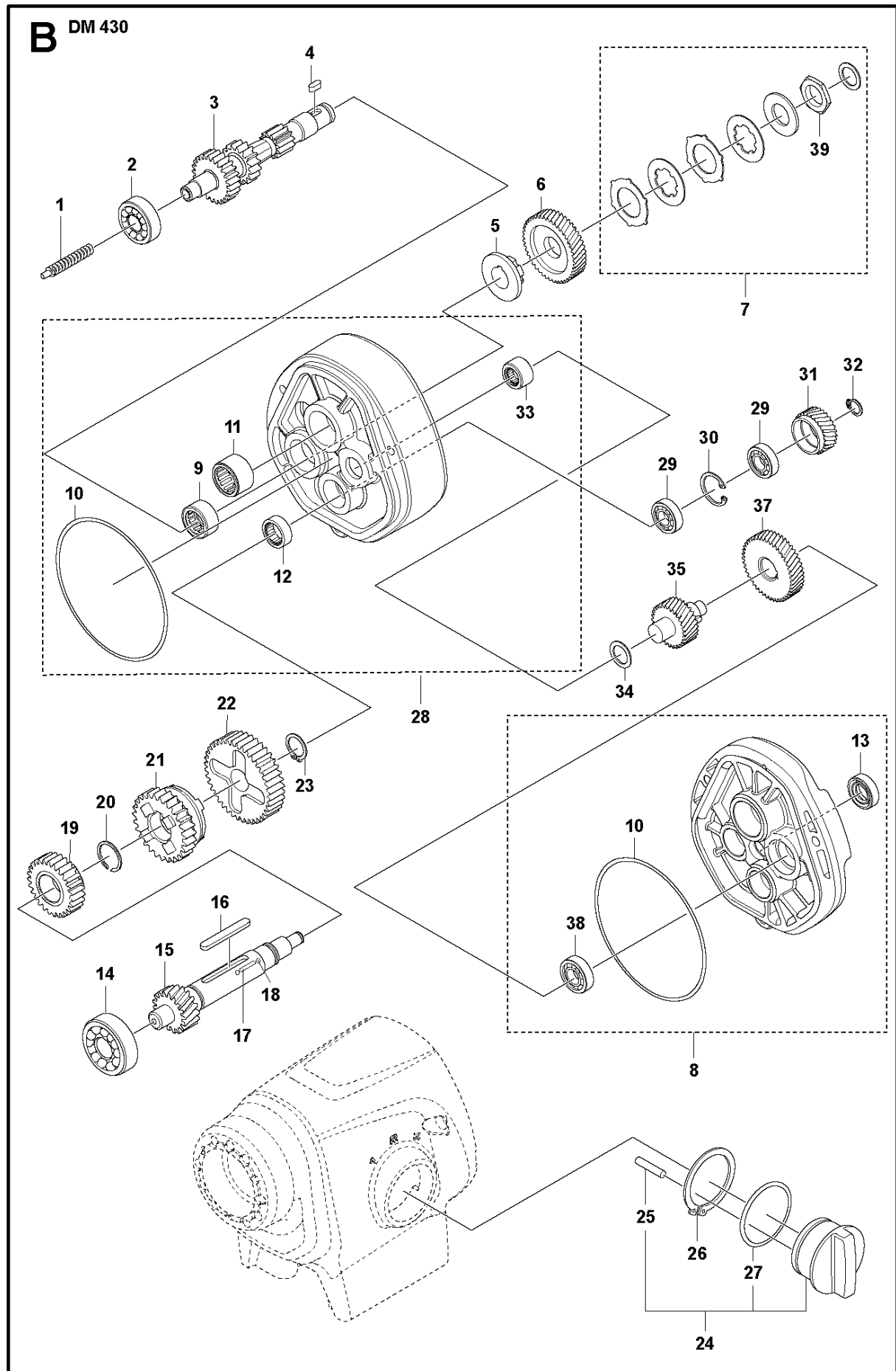
DM430, 2020-02



GEARBOX

DM430, 2020-02

Ref	Part No	Description	Remark	QTY KIT	
1	598 76 28-01	WASHER	QUICK RELEASE	1	
2	598 73 27-01	O-RING	32x1,5	2	
3	598 73 13-01	SPINDLE SHAFT	"ASSY 1 1/4"" UNC"	1	
3	598 73 13-02	SPINDLE SHAFT	ASSY CR1 28	1	
3	598 73 13-03	SPINDLE SHAFT	ASSY 32/28.9 Japan	1	
4	598 73 26-01	PARALLEL KEY		1	
5	598 73 23-01	RADIAL SEAL	40X52X7S	1	
6	598 73 21-01	RADIAL SEAL	40x52x7	1	
7	598 76 27-01	SCREW		3	
8	598 73 12-01	BUSHING		1	
9	598 73 22-01	RADIAL SEAL	38X50X7	1	
10	598 73 15-01	BEARING		1	
11	598 73 14-01	NEEDLE BEARING		1	
12	598 73 28-01	HOSE ASSY	KIT	1	
13	598 73 20-01	O-RING	RDR11x2,5	1	12
14	598 73 25-01	SEALING RING		3	12
15	598 76 26-01	SCREW		3	
16	598 76 17-01	WASHER		3	
17	598 73 10-01	GEAR HOUSING		1	
18	598 76 22-01	WASHER	THRUST BEARING WASHER	1	
19	598 73 16-01	BEARING	THRUST	1	
20	598 73 82-01	GEAR WHEEL		1	
21	598 73 19-01	O-RING	RDR20x3	1	
22	598 76 25-01	NUT		1	
23	598 85 54-01	O-RING	RDR34x2	1	3
24	598 85 53-01	SLEEVE	SPINDLE SHAFT	2	3

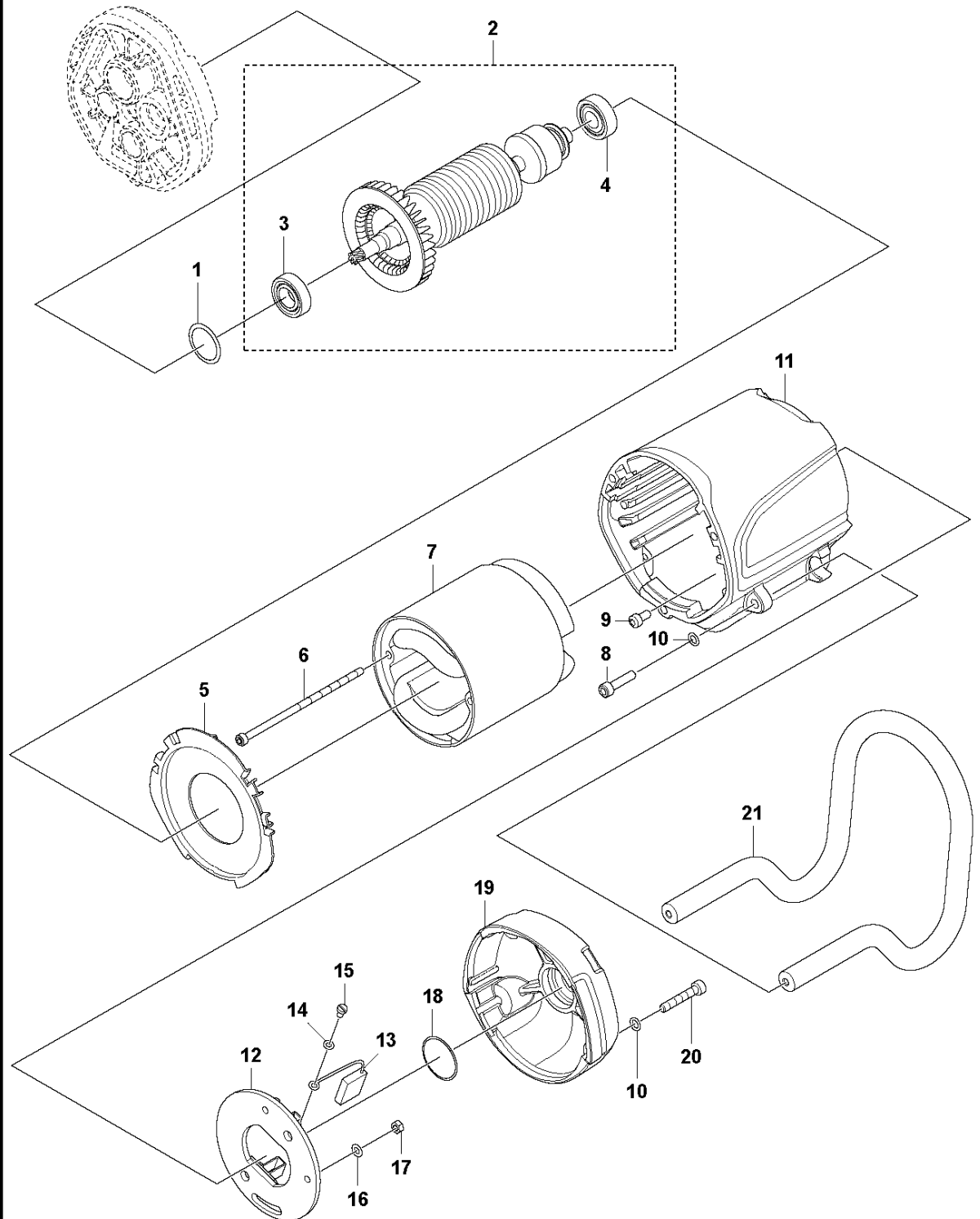


GEARBOX

DM430, 2020-02

Ref	Part No	Description	Remark	QTY	KIT
1	598 73 38-01	TUBE	SPIRAL	1	
2	598 73 40-01	BALL BEARING		1	
3	598 73 32-02	GEAR WHEEL SHAFT		1	
4	598 73 49-01	PARALLEL KEY	A4x4x10	1	
5	598 73 34-01	DRIVER		1	
6	598 73 33-01	GEAR WHEEL		1	
7	598 77 52-01	CLUTCH ASSY	SLIP CLUTCH	1	
8	598 73 53-02	COVER ASSY		1	
9	598 95 29-01	NEEDLE BEARING		1	28
10	598 73 44-01	O-RING		2	28,8
11	598 73 43-01	NEEDLE BEARING		1	28
12	598 95 31-01	NEEDLE BEARING		1	28
13	598 73 30-01	RADIAL SEAL		1	8
14	598 73 39-01	BALL BEARING		1	
15	598 73 83-02	GEAR WHEEL SHAFT		1	
16	598 73 48-01	PARALLEL KEY	A6x6x45	1	
17	598 73 46-01	PRESSURE SPRING		1	
18	598 79 69-01	BALL	GEAR CHANGE	2	
19	598 73 36-01	GEAR WHEEL		1	
20	598 79 56-01	RETAINER RING	DM650, CIRCLIP	1	
21	598 73 37-01	GEAR WHEEL		1	
22	598 73 35-01	GEAR WHEEL		1	
23	598 73 52-01	CIRCLIP	16x1	1	
24	598 73 31-01	GEARSHIFT LEVER		1	
25	598 73 50-01	PARALLEL PIN	5m6x25	1	24
26	598 73 51-01	CIRCLIP	42x1,75	1	
27	598 73 45-01	O-RING		1	24
28	598 96 45-01	COVER ASSY	EXTENDED	1	
29	598 96 46-01	BALL BEARING		1	
30	598 96 47-01	CIRCLIP	J24x1,2	1	
31	598 96 48-01	GEAR WHEEL		1	
32	598 96 49-01	CIRCLIP	10x1	1	
33	598 73 42-01	NEEDLE BEARING	HK1412	1	28
34	598 96 51-01	SHIM	PS14x20x1	1	
35	598 96 52-01	GEAR WHEEL SHAFT		1	
37	598 96 54-01	GEAR WHEEL		1	
38	598 96 55-01	BALL BEARING	6000	1	8
39	599 54 07-01	NUT	NUT	1	

C DM 400 / DM 430
MOTOR

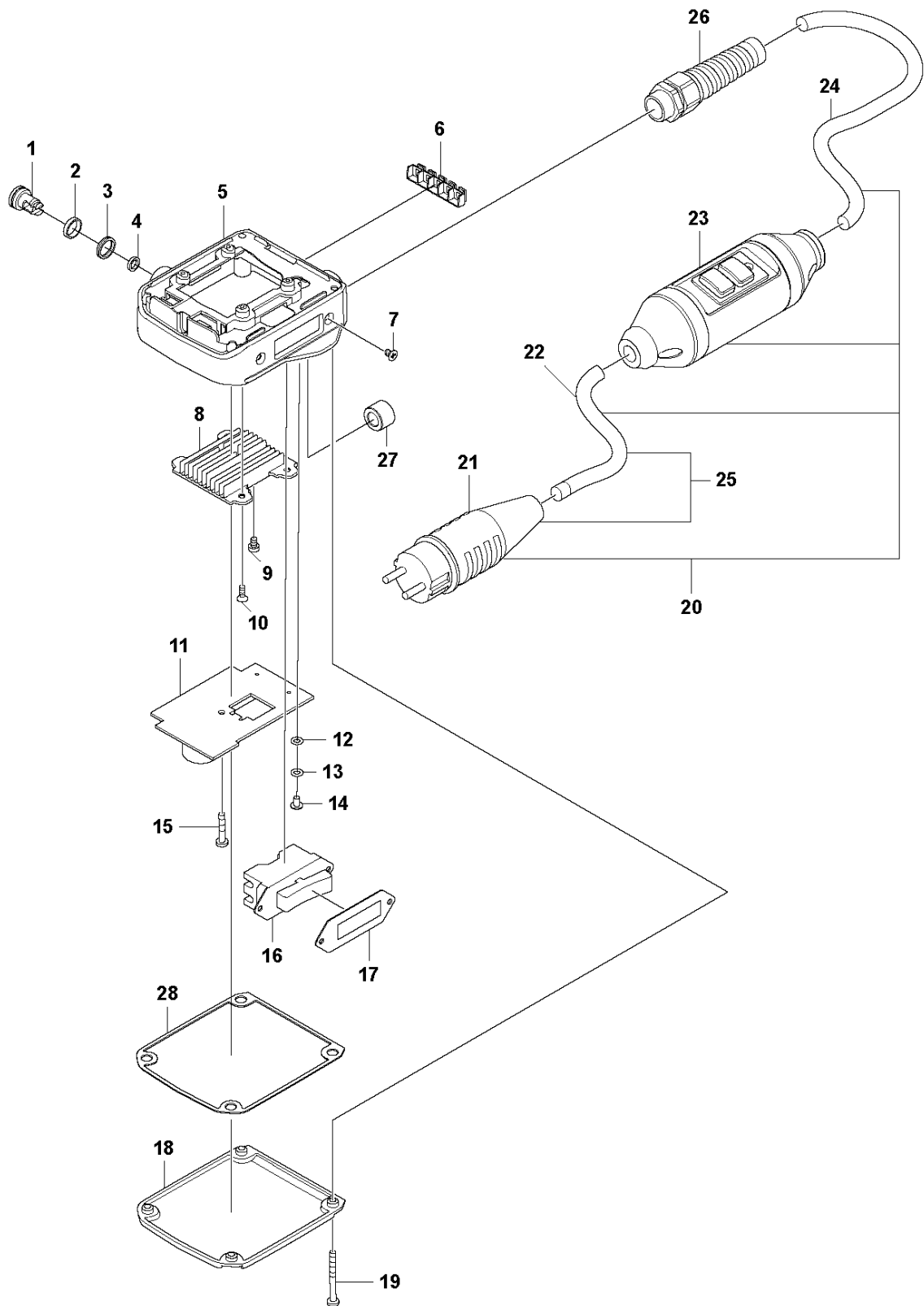


MOTOR

DM430, 2020-02

Ref	Part No	Description	Remark	QTY KIT	
1	598 73 67-01	SHIM	WASHER	1	
2	598 73 69-01	ROTOR	230V	1	
2	598 73 69-02	ROTOR	120V	1	
3	598 73 66-01	BALL BEARING	6002 Z	1	2
4	598 73 65-01	BALL BEARING	6201 2Z	1	2
5	598 73 63-01	AIR CONDUCTOR		1	
6	598 76 06-01	SCREW		2	
7	598 73 59-01	STATOR ASSY	230V	1	
7	598 73 59-02	STATOR ASSY	120V	1	
8	598 80 88-01	SCREW		2	
9	598 73 60-01	SLEEVE	INSULATING	1	
10	598 76 17-01	WASHER		5	
11	598 73 57-01	MOTOR HOUSING		1	
12	598 73 62-01	HOLDER	CARBON BRUSH	1	
13	598 73 64-01	CARBON BRUSH	SET 230V	1	12
13	598 73 64-02	CARBON BRUSH	SET 120V	1	12
14	598 76 19-01	WASHER		2	12
15	598 76 09-01	SCREW		2	12
16	598 76 18-01	WASHER		2	
17	732 21 14-01	LOCK NUT		2	
18	598 73 68-01	O-RING	RDR32x3	1	
19	598 73 58-01	COVER	MOTOR HOUSING	1	
20	598 76 05-01	SCREW		3	
21	598 79 77-01	HANDLE		1	

D DM 400 / DM 430
ELECTRICAL

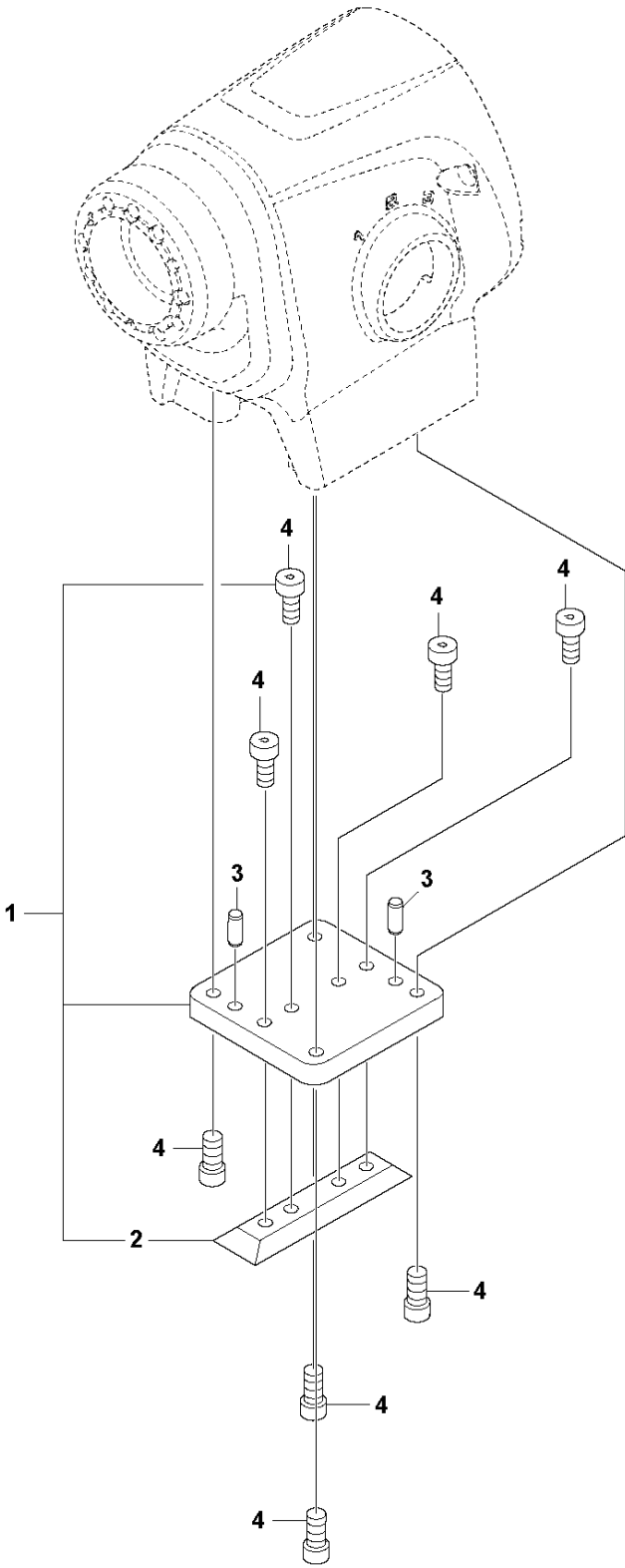


ELECTRICAL

DM430, 2020-02

Ref	Part No	Description	Remark	QTY	KIT
1	598 78 02-01	PUSH BUTTON		1	
2	598 78 01-01	O-RING	RDR 13x1,2	1	
3	598 78 00-01	SPRING	WAVE	1	
4	598 77 98-01	MAGNET	RING 10x7x2	1	
5	598 73 75-01	HOLDER	ELECTRONICS	1	
6	598 77 97-01	PROTECTIVE CAP		1	
7	598 76 10-01	SCREW		2	
8	598 73 73-01	COOLER		1	
9	598 76 16-01	SCREW		2	
10	598 76 11-01	SCREW		2	
11	598 73 72-01	PRINTED CIRCUIT BOARD	230V	1	
11	598 73 72-02	PRINTED CIRCUIT BOARD	120V	1	
12	598 76 19-01	WASHER		3	
13	598 80 94-01	WASHER		3	
14	598 80 90-01	SCREW		3	
15	598 80 93-01	SCREW		2	
16	598 73 79-01	SWITCH	POWER	1	
17	598 73 74-01	SEALING	SWITCH	1	
18	598 73 71-01	COVER	ELECTRONICS	1	
19	598 76 07-01	SCREW		4	
20	598 78 24-01	CABLE ASSY	INCL PRCD and PLUG US, JP	1	
21	598 73 80-01	PLUG	MAINS CH	1	20
21	598 73 80-02	PLUG	MAINS UK	1	20
22	598 73 76-01	CABLE	3G1,5x1,5m CH	1	20
23	598 78 37-01	CIRCUIT BREAKER	PRCD 230V	1	20
24	598 73 77-01	CABLE	3G1,5x2,3m 230V EU, CH, AU	1	20
24	598 73 77-02	CABLE	3G1,5x2,3m 230V BR	1	20
24	598 73 77-03	CABLE	3G4x3,8m 120V UK	1	20
25	598 73 81-01	CABLE ASSY	INCL PLUG EU	1	
25	598 73 81-02	CABLE ASSY	INCL PLUG AU	1	
25	598 73 81-03	CABLE ASSY	INCL PLUG BR	1	
26	598 73 78-01	CABLE SLEEVE		1	
27	599 38 88-01	FERRITE CORE	230 V	1	
27	599 38 88-02	FERRITE CORE	120 V	1	
28	599 44 88-01	SEALING		1	

E DM 400 / DM 430
MOTOR BRACKET



MOTOR BRACKET

DM430, 2020-02

Ref	Part No	Description	Remark	QTY KIT	
1	575 80 82-02	ATTACHMENT PLATE	ATTACHMENT PLATE	1	
2	575 80 81-01	WEDGE	WEDGE	1	1
3	720 14 01-06	PARALLEL PIN	PARALLEL PIN	2	
4	725 54 51-01	SCREW IHSCM	SCREW	8	1